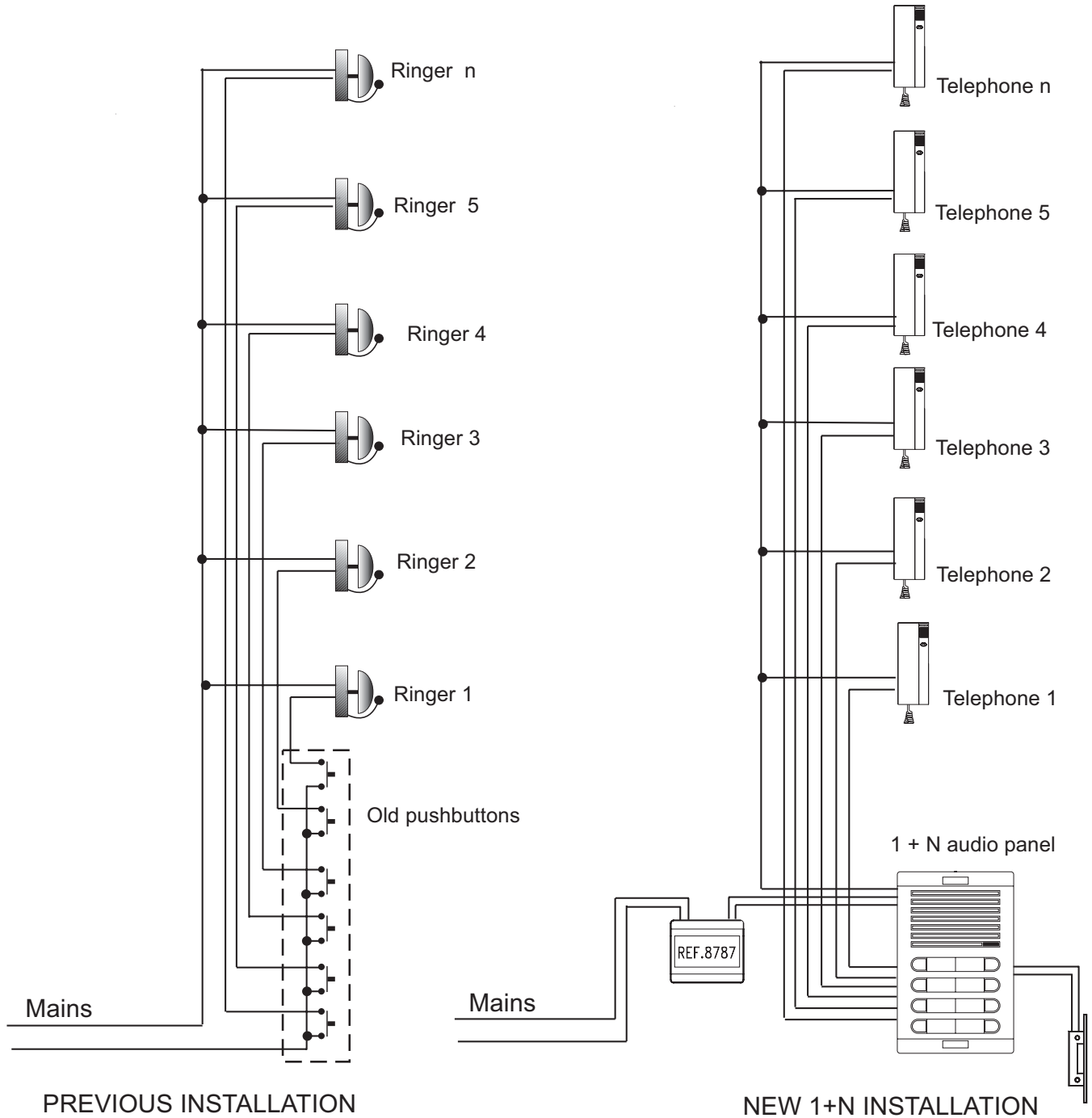




This is the easiest way to convert an old ring installation in a fashionable doorphone system

Now it is possible to use the wiring of any existing installation of 1 common wire + 1 specific wire to install a doorphone system, but using the old wires.

This drawing below explains how to do that.



To avoid electrical shocks, it is very important the old wires to be used in an 1 + N installation be totally disconnected from the mains.

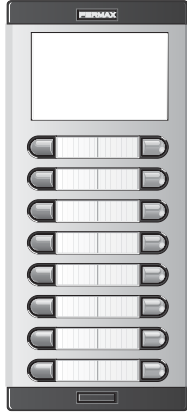


THE 1 + N SYSTEM

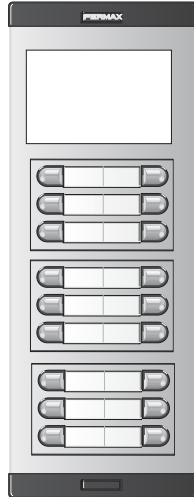
COMPONENTS

The 1 + N system can be implemented in any of the 3 available aesthetics provided by FERMAX: CityLine, City Max or Bruto.

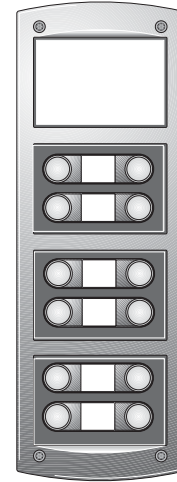
In any case, a window for the corresponding amplifier shall be reserved.



CITY PANEL
Ref. depends on the number of pushbuttons.



CITY MAX MODULAR PANEL
Complete it with the necessary CITYMAX pushbutton modules



BRUTO PANEL
Complete it with the necessary BRUTO pushbutton modules



CITY 1 + N AMPLIFIER



CITYMAX 1 + N AMPLIFIER



BRUTO 1 + N AMPLIFIER

Do not forget the necessary Diode Modules

DIODES MODULE

REF. 5003

1 module for each 8 pushbuttons is required. To be installed on the back of the pushbuttons.

CITYMAX BASIC 1 + N TELEPHONE

REF. 5002

Provided with pushbutton to open the door.

With secrecy of communication.

Electronic call.



POWER SUPPLY

REF. 8787

Only one p.s. for each installation.

12 Vac 1,5 A.

6 elements DIN RAIL format.

